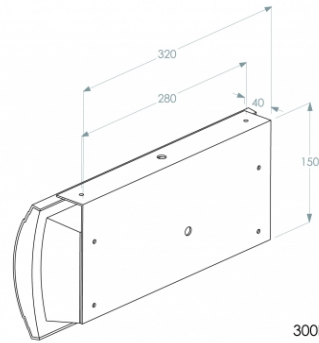




300PL plafondmontage haaks



Specifications

Family	SERIES 300 EAGLE
Functionality	
Color housing	wit
Weight (gr)	577
Sizes of packaging (LxWxH)	320 x 150 x 40
Assembly	
Material housing	metaal
EAN	8718309380670

We reserve the right to alter specifications.

Datum download PDF: 05-06-2026

HBI Bisscheroux | Hofdwarweg 14 | 6161 DD Geleen | T: +31 (0)46 - 475 65 72 | E: info@hbi-lighting.com